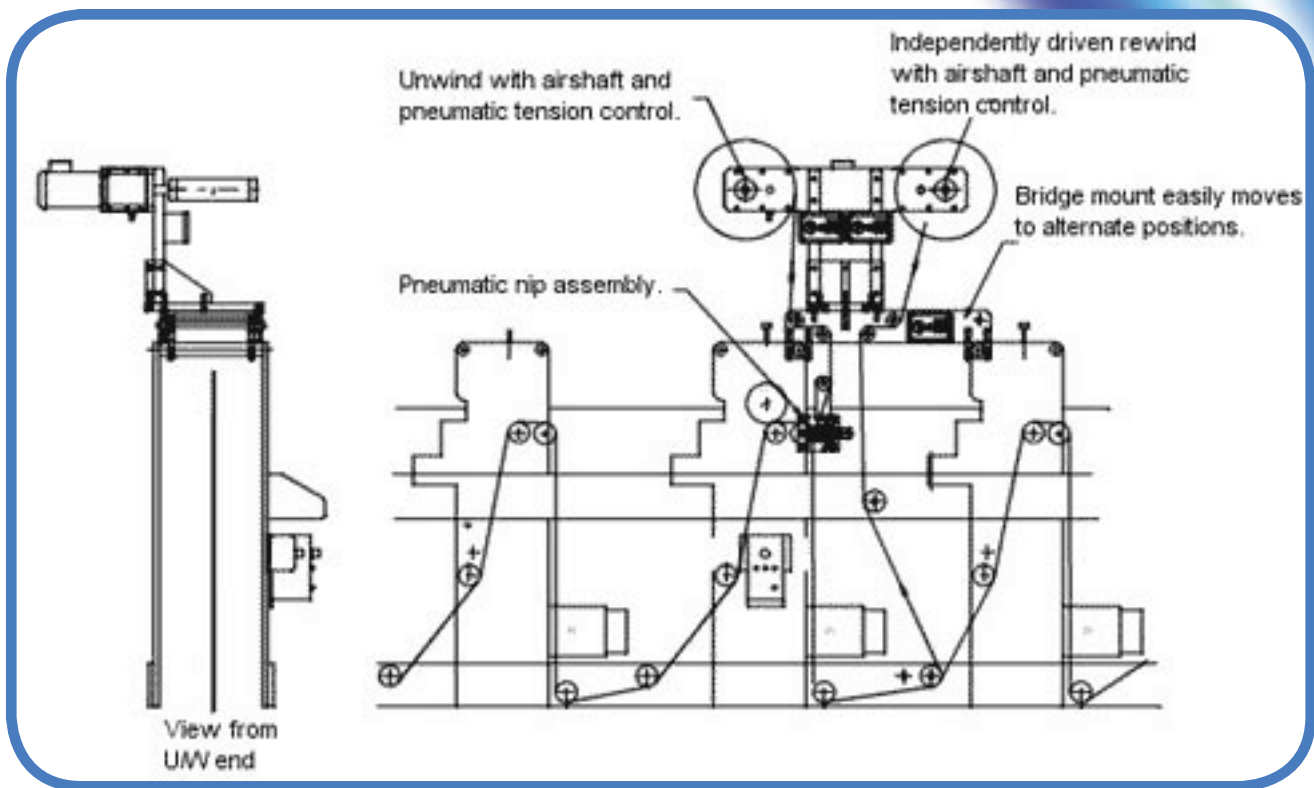


Equipment Application Report

COLD FOIL ON RAILS (MARK ANDY)



Telstar's professionally engineered equipment for through-cure cold-foiling is designed to fit any style press. Whether you have a rail system or standard style press, Telstar equipment will ensure repeatable results. The Cold Foil Package is designed for interprint sequencing or moving from one press to another. First down, last down, trapped and/or varnished, you decide.



www.telstareng.com
Press Performance Specialist™

1656 East Cliff Road, Burnsville, MN 55337

952-890-9440 - 888-203-9677